

## TAB-DOWN 1X1 100M Lightning Protection Base For RJ45

UN111B339HWA1DFL

### Electrical

- ◆ Turn ratio 2~3:J1~J2=1CT:1CT(±2%).  
5~6:J3~J6=1CT:1CT(±2%).
- ◆ OCL:350uH Min.at 100KHz 100mV 8mA DC.
- ◆ Insertion Loss: -1.0 dB Max 1~100MHz.
- ◆ Return loss: -20dB Min 1~10MHz;  
-16dB Min 10~30MHz;  
-12dB Min 30~60MHz;  
-10dB Min 60~80MHz.
- ◆ Cross talk: -40dB Min 1~30MHz;  
-35dB Min 30~60MHz;  
-30dB Min 60~100MHz.
- ◆ CMR: -30dB Min 1~100MHz;
- ◆ IEC 61000-4-2 (ESD) ±30kV (air), ±30kV (contact);  
IEC 61000-4-5 (SURGE) ±4kV (Difference  
Mode),±6kV (Common mode).
- ◆ Hi-Pot:1500V AC & 2250V DC 6S 1mA PRI TO SEC.

### Mechanical Data

- ◆ Durability: 750 Cycles Min.
- ◆ Mating Force: 23N MAX.
- ◆ Operating Temperature: -40°C~+85°C.
- ◆ Storage Temperature: -40°C~+85°C.
- ◆ All Critical Dimensions with "\*"



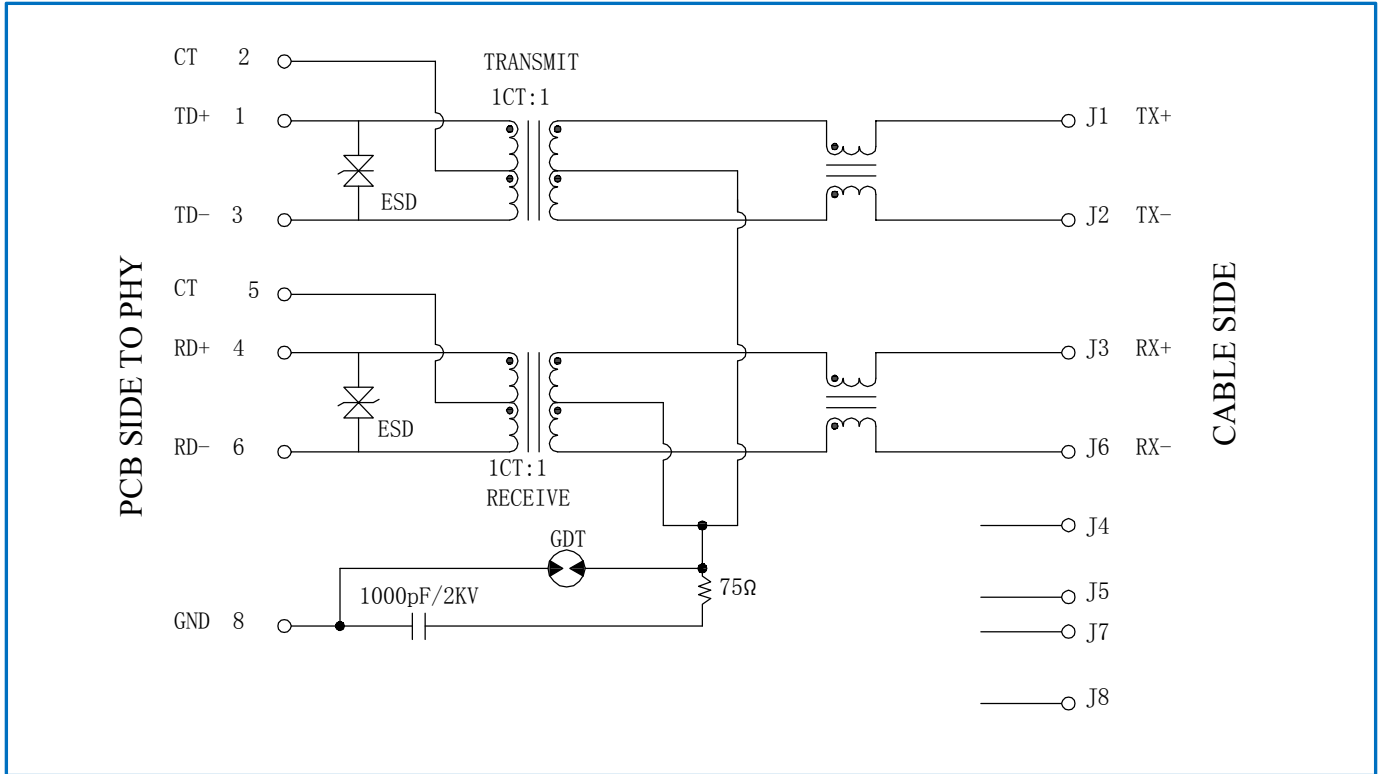
### Material

- ◆ Housing: PBT,UL94V-0,BLACK.
- ◆ Terminals Bracket: PBT,UL94V-0,BLACK.
- ◆ Shield: C2680,T=0.20MM,Nickel Plating on all area.
- ◆ Terminal: Phosphor Bronze C5210,T=0.35MM,6U" Gold Plating on contact area.

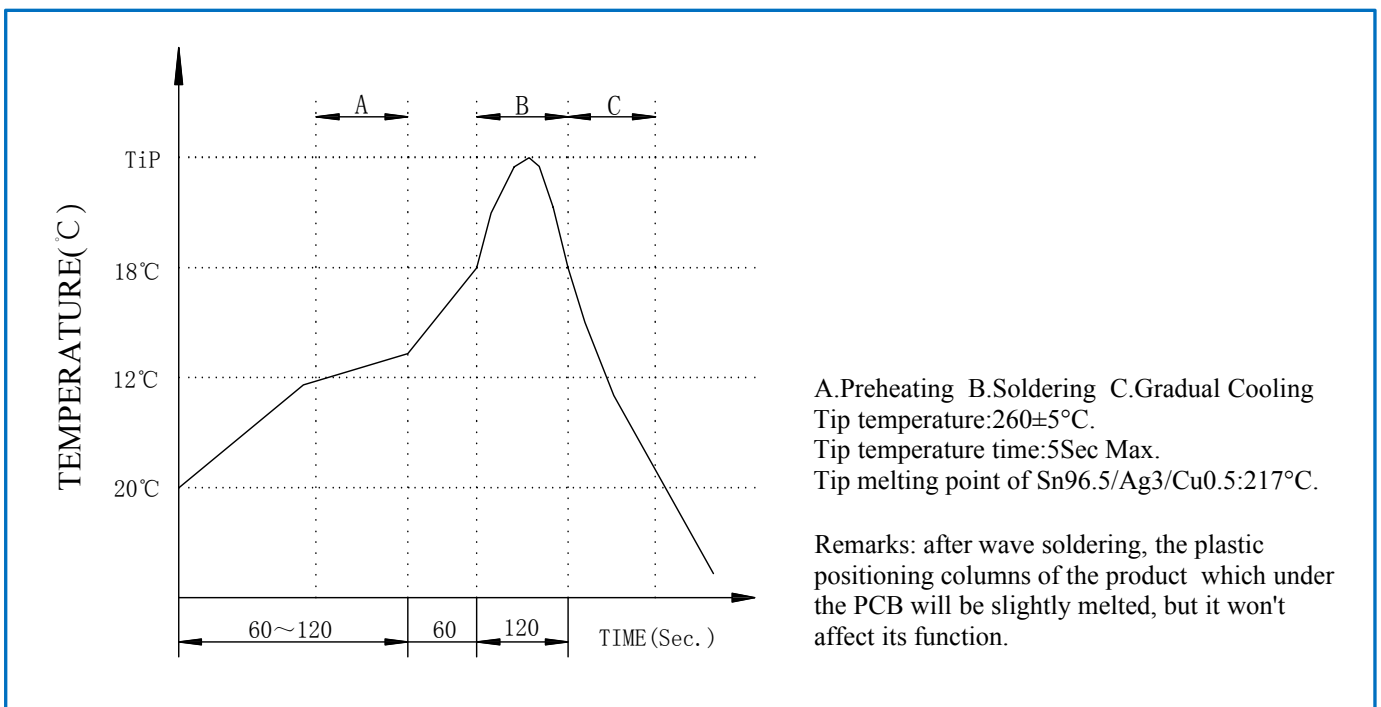
# TAB-DOWN 1X1 100M Lightning Protection Base For RJ45

UN111B339HWA1DFL

## Schematic



## Soldering Parameters



## TAB-DOWN 1X1 100M Lightning Protection Base For RJ45

UN111B339HWA1DFL

### Dimensions

