

# UN6 Series

ROHS

## Radial Lead Resettable Polymer PTCs

### Description

UN6 series radial leaded PTCs are designed to provide resettable over-current protection for USB, Low voltage electrical equipment applications. With maximum 6 volts and maximum 40-ampere short circuit rating

### Features

- ◆ RoHS compliant, Lead-Free and Halogen-Free
- ◆ 40A short circuit rating
- ◆ 6VDC operating voltage
- ◆ Fast time-to-trip
- ◆ Meets all USB protection requirements

### Applicable

- ◆ Computers and peripherals
- ◆ USB hubs ,ports and peripherals
- ◆ Power ports
- ◆ General electronics

### Electrical Parameters

Part Number	I hold (A)	I trip (A)	V max (Vdc)	I max (A)	Pdtype. (W)	Maximum Time To Trip		Resistance		
						Current (A)	Time (Sec.)	R min (mΩ)	R max (mΩ)	R 1max (mΩ)
UN6-050	0.50	1.00	6	40	0.45	1.50	10	180	400	600
UN6-065	0.65	1.30	6	40	0.50	1.95	10	120	270	400
UN6-075	0.75	1.50	6	40	0.55	2.25	10	110	230	345
UN6-090	0.90	1.80	6	40	0.60	2.70	10	90	180	270
UN6-110	1.10	2.20	6	40	0.70	3.30	10	70	140	210
UN6-120	1.20	2.40	6	40	0.75	3.60	10	70	140	210
UN6-135	1.35	2.70	6	40	0.80	4.05	10	55	110	150
UN6-160	1.60	3.20	6	40	0.90	4.80	10	45	90	115
UN6-185	1.85	3.70	6	40	1.00	5.55	12	40	80	100
UN6-250	2.50	5.00	6	40	1.20	7.50	12	27	55	70

I hold= Hold current: maximum current device will pass without tripping in 25°C still air.

I trip= Trip current: minimum current at which the device will trip in 25°C still air.

V max= Maximum voltage device can withstand without damage at rated current (I max)

I max= Maximum fault current device can withstand without damage at rated voltage (V max)

Pdtype.= Power dissipated from device when in the tripped state at 25°C still air.

R min= Minimum resistance of device in initial (un-soldered) state.

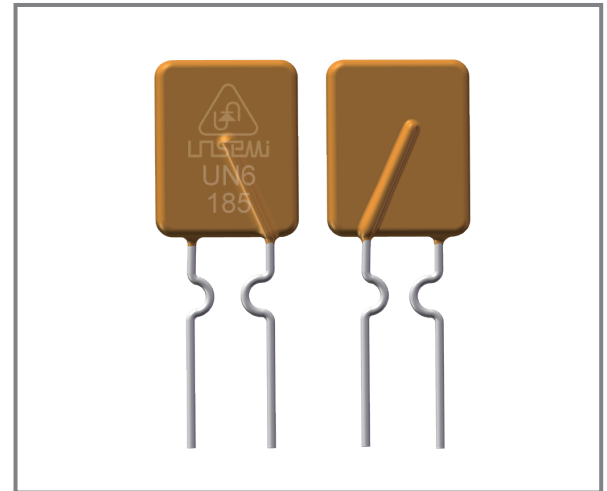
R max= Maximum resistance of device in initial (un-soldered) state.

R 1max= Maximum resistance of device at 25°C measured one hour after tripping.

Caution: Operation beyond the specified rating may result in damage and possible arcing and flame.



www.unsemi.com.tw



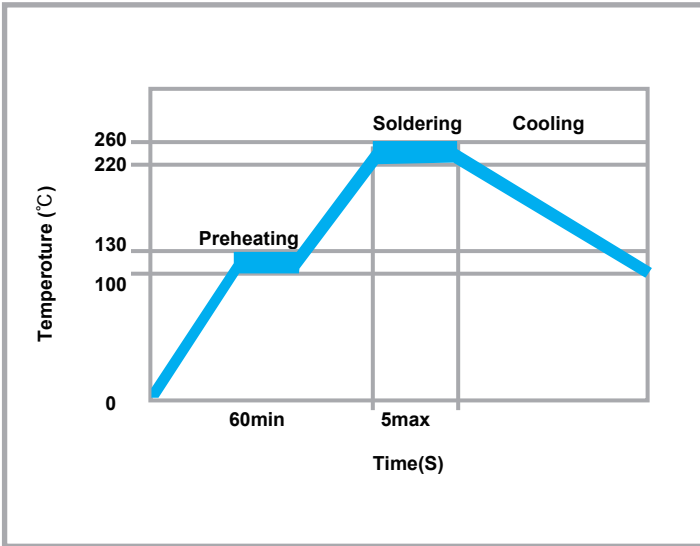
Temperature Derating Chart – I hold (A)

Part Number	Ambient Operation Temperature								
	-40°C	-20°C	0°C	25°C	40°C	50°C	60°C	70°C	85°C
	Hold Current (A)								
UN6-050	0.73	0.65	0.58	0.50	0.42	0.39	0.34	0.31	0.26
UN6-065	0.94	0.85	0.75	0.65	0.54	0.50	0.44	0.40	0.34
UN6-075	1.09	0.98	0.86	0.75	0.62	0.58	0.51	0.46	0.39
UN6-090	1.31	1.17	1.04	0.90	0.75	0.69	0.61	0.55	0.47
UN6-110	1.60	1.43	1.27	1.10	0.91	0.85	0.75	0.67	0.57
UN6-120	1.74	1.56	1.38	1.20	1.00	0.92	0.82	0.73	0.62
UN6-135	1.96	1.76	1.55	1.35	1.12	1.04	0.92	0.82	0.70
UN6-160	2.32	2.08	1.84	1.60	1.33	1.23	1.09	0.98	0.83
UN6-185	2.68	2.41	2.13	1.85	1.54	1.42	1.26	1.13	0.96
UN6-250	3.63	3.25	2.88	2.50	2.08	1.93	1.70	1.53	1.30

Test Procedures and Requirement

Test	Test Conditions	Accept/Reject Criteria
Resistance	In still air @25°C±2°C	$R_{min} \leq R \leq R_{max}$
Hold Current	60 min, at $I_{hold}$ , In still air @25°C±2°C	No trip
Time to Trip	Specified current, $3 I_{hold}$ , @25°C±2°C	$T \leq$ Maximum Time To Trip
Trip Cycle Life	$V_{max}; I_{max}, 15min$	Resistance change rate $\leq 50\%$
Trip Endurance	$V_{max}, 24hours$	No arcing or burning

### Soldering Parameters

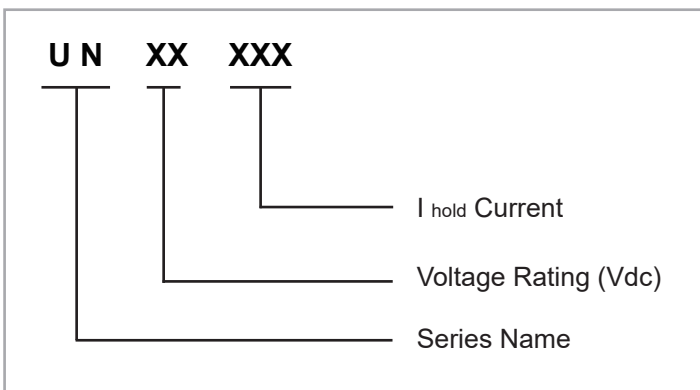


<b>Pre-Heating Zone</b>	Refer to the condition recommended by the manufacturer. Max.ramping rate should not exceed 4°C/Sec
<b>Soldering Zone</b>	Max.solder temperature should not exceed 260°C
<b>Cooling Zone</b>	Cooling by natural convection in air

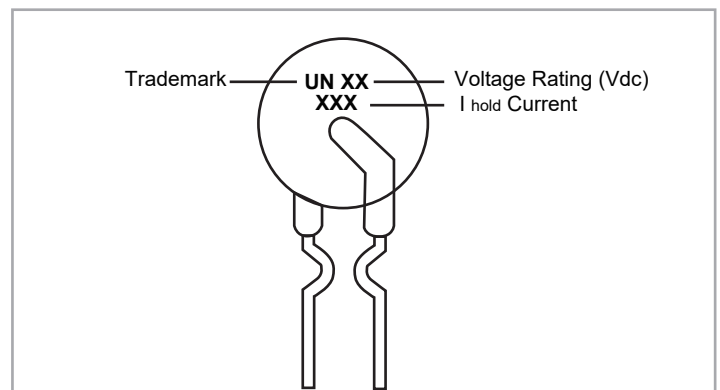
### Physical Specifications

<b>Lead Material</b>	Tin-plated Copper clad steel
<b>Soldering Characteristics</b>	Solder ability per MIL -STD-202, Method 208E
<b>Insulating Material</b>	Cured, flame retardant epoxy polymer meets UL 94V-0 requirements.
<b>Device Labeling</b>	Marked with "UN" voltage, current rating

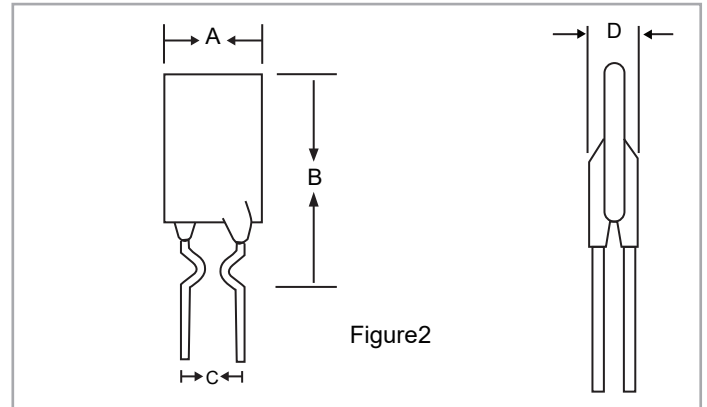
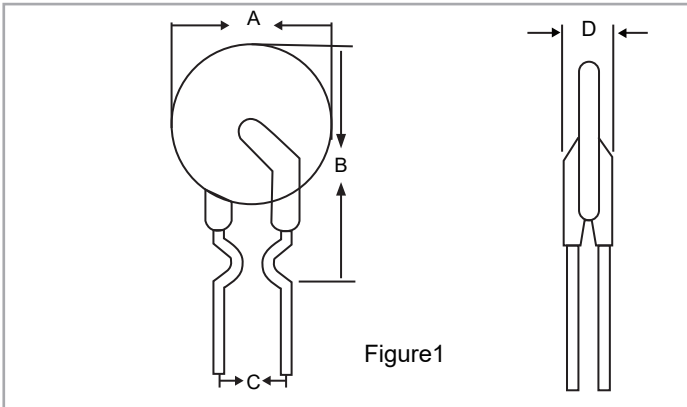
### Part Numbering



### Part Marking



Dimensions



Part Number	Figure	A	B	C	D	Lead (dia)	Packaging mm (Bulk Pack)
		mm (Max.)	mm (Max.)	mm (Typ.)	mm (Max.)	mm	
UN6-050	Figure1	6.00	11.3	5.1±0.5	3.0	0.5	1000
UN6-065	Figure1	6.00	12.0	5.1±0.5	3.0	0.5	1000
UN6-075	Figure1	7.00	12.0	5.1±0.5	3.0	0.5	1000
UN6-090	Figure2	6.50	11.5	5.1±0.5	3.0	0.5	1000
UN6-110	Figure2	7.00	12.0	5.1±0.5	3.0	0.5	1000
UN6-120	Figure1	7.20	12.2	5.1±0.5	3.0	0.5	1000
UN6-135	Figure2	6.50	14.5	5.1±0.5	3.0	0.5	1000
UN6-160	Figure2	8.80	13.8	5.1±0.5	3.0	0.5	1000
UN6-185	Figure2	8.80	15.5	5.1±0.5	3.0	0.5	1000
UN6-250	Figure2	10.00	16.0	5.1±0.5	3.0	0.5	1000

Warning



- ◆ This product should not be used in an application where the maximum interrupt voltage or maximum interrupt current in a fault condition, Operation beyond the maximum rating or improper use may result in device damage and possible electrical arcing and flame.
- ◆ PPTC device is not a fuse, It is a nonlinear thermistor that limits current, Because under a fault condition all PPTC devices go into a high resistance state but not open circuit hazardous voltage may be present at PPTC.
- ◆ The devices are intended for protection against occasional over-current or over-temperature fault conditions and should not be used when repeated fault conditions or prolonged trip events
- ◆ In most application, power must be removed and the fault condition cleared in order to reset a PPTC device
- ◆ PPTC devices are not recommended to be installed in applications where the device is constrained such that its PPTC properties are inhibited, for example in rigid potting materials or Add devices surface coating, Bundled devices ontology, which lack adequate clearance to accommodate device expansion.
- ◆ Contamination on of the PPTC material with certain silicone-based oils or some aggressive solvents can adversely impact the performance of the devices. For example, Organic solvents to cleaning.

## Disclaimer

UNSEMI RESERVES THE RIGHT TO MAKE CHANGE ON OUR PRODUCTS , PRODUCTS SPECIFICATION AND DATA WITHOUT NOTICE TO IMPROVE RELIABILITY, FUNCTION OR DESIGN OR OTHERWISE.

UN SEMICONDUCTOR LIMITED its affiliates, agents, and employees, and all persons acting on its or their behalf (collectively, "UNSEMI") does not give any representations or warranties for any errors, inaccuracies or incompleteness contained in any datasheet or in any other disclosure relating to any product.

In no event shall UNSEMI be liable for any indirect, incidental, punitive, special or consequential damages (including any and all implied warranties, warranties of fitness for particular purpose, non-infringement and merchantability.) whether or not such damages are based on tort (including negligence), warranty, breach of contract or any other legal theory.

Statements regarding the suitability of products for certain types of applications are based on UNSEMI knowledge of typical requirements that are often placed on UNSEMI products in generic applications. Such statements are not binding, statements about the suitability of products for a particular application. It is the customer's responsibility to validate that a particular product with the properties described in the product specification is suitable for use in a particular application. Parameters provided in datasheets or specifications may vary in different applications and performance may vary over time. All operating parameters, including typical parameters, must be validated for each customer application by the customer's technical experts. Product specifications do not expand or otherwise modify UNSEMI's terms and conditions of purchase, including but not limited to the warranty expressed therein.

Unless otherwise agreed in writing, UNSEMI product is not designed, authorized or warranted to be suitable for use in medical life-saving, or life-sustaining application , nor in applications where failure or malfunction of a UNSEMI product can reasonably be expected to result in personal injury, death or severe property or environmental damage. UNSEMI and its suppliers accept no liability for inclusion or use of UNSEMI products in such equipment or applications and therefore such inclusion and/or use is at the customer's own risk.

All referenced brands, product names, service names and trademarks are the property of their respective owners.